

D40M22



DOSATRON®

An Ingersoll Rand Business

D40MZ2 - 40 GPM

PRODUCT DESCRIPTION

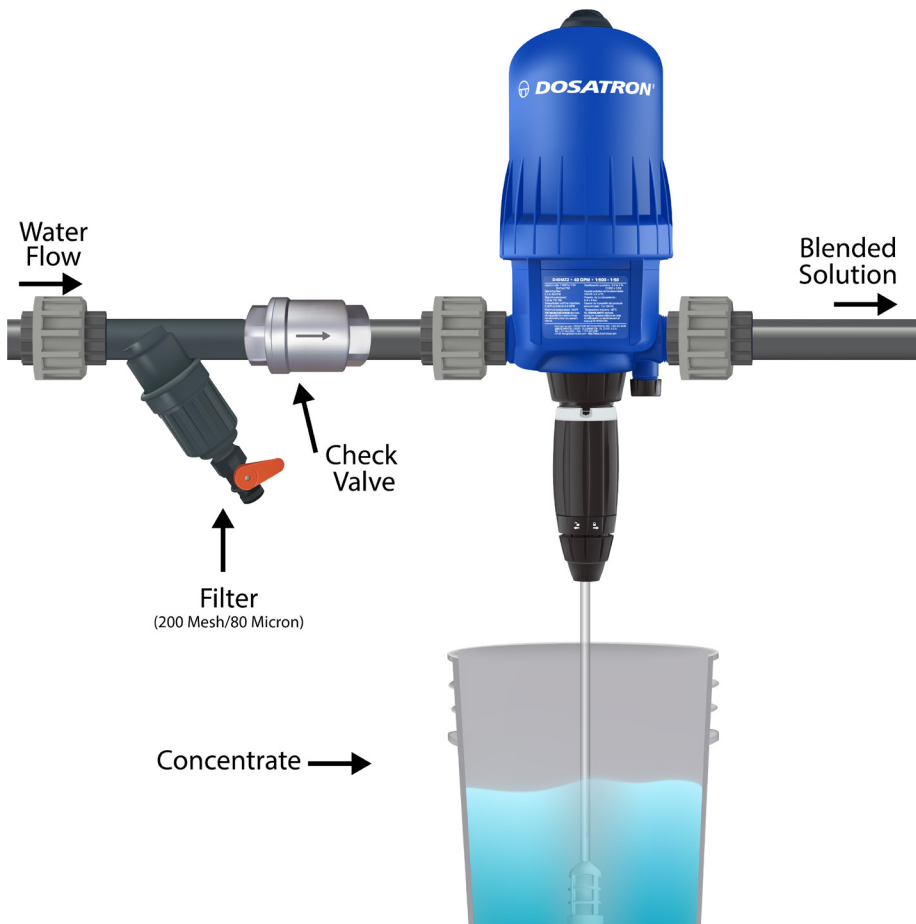
The Dosatron D40MZ2, with flow up to 40 GPM, can be installed in parallel to increase the water flow. It's water-powered so no electricity is needed. It's easy to install and maintain with 63% fewer parts and a metal free piston.

PRODUCT SPECIFICATIONS

Dilution Range:	1:500 to 1:50 (0.2% to 2%)
Water Flow Range:	2.2 to 40 GPM
Operating Pressure Range:	4.3 to 116 PSI
Available Housing Materials:	Polypropylene (Standard Blue)
Dimensions:	25 ¼" x 8 ½"
Weight:	12 lbs
Connection Size:	1 ½" NPT
Maximum Temperature:	104°F



BASIC INSTALLATION



ACCESSORIES

INCLUDED ACCESSORIES

- 6' Clear Suction Tube
- Strainer
- Weight
- Mounting Bracket

RECOMMENDED ACCESSORIES

- 200 Mesh Filter
- Check Valve

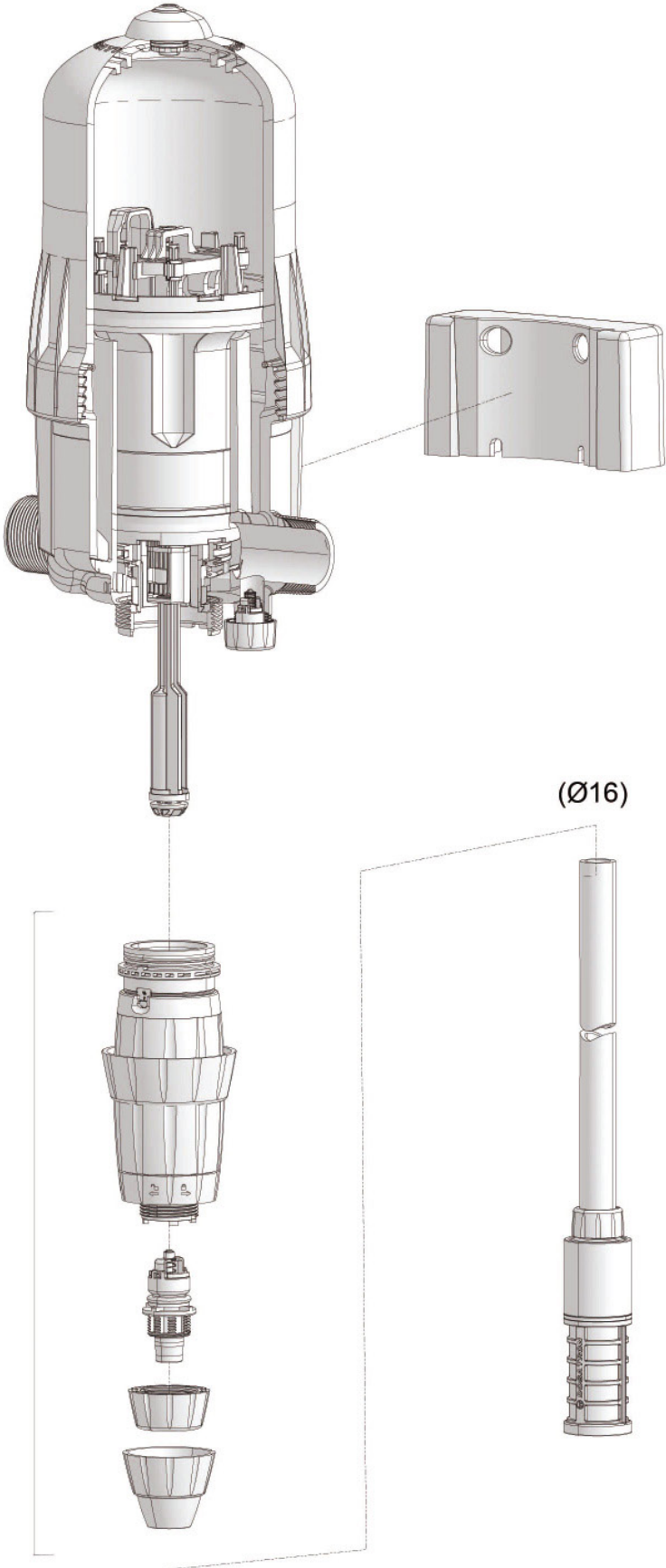
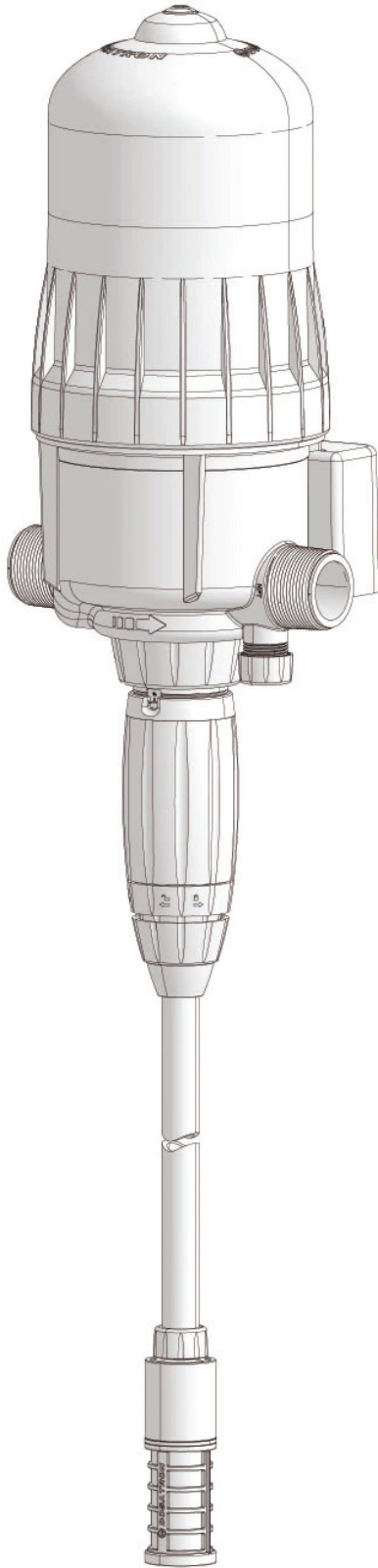
OPTIONAL ACCESSORIES

- Bypass (Part # MPD1196)

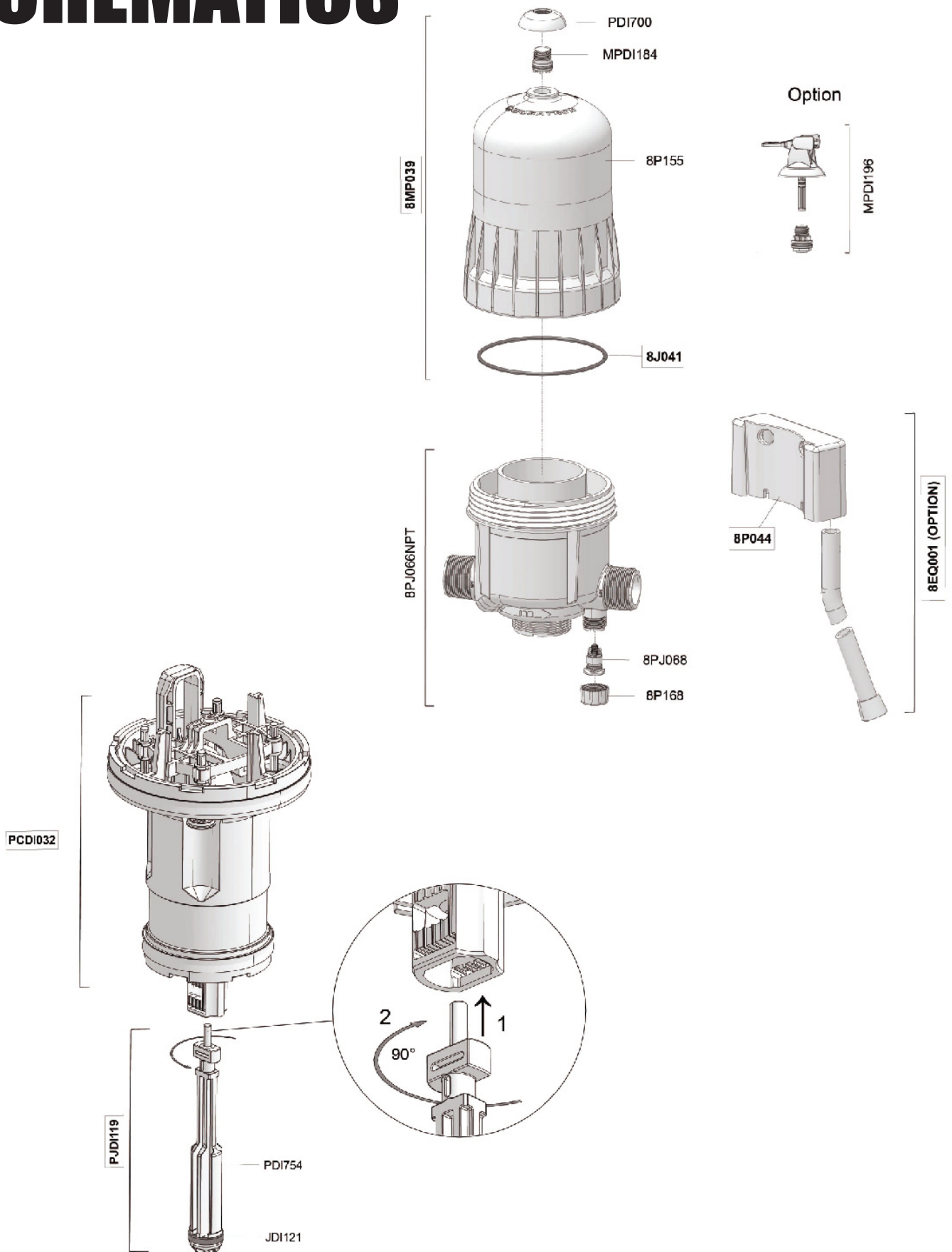
MAINTENANCE KITS

- Mini-Maintenance Kit - For Regular Maintenance
Part#: PJD1120VMINI-H
- Injection Seal Kit - For Annual Maintenance
Part#: PJD1120V

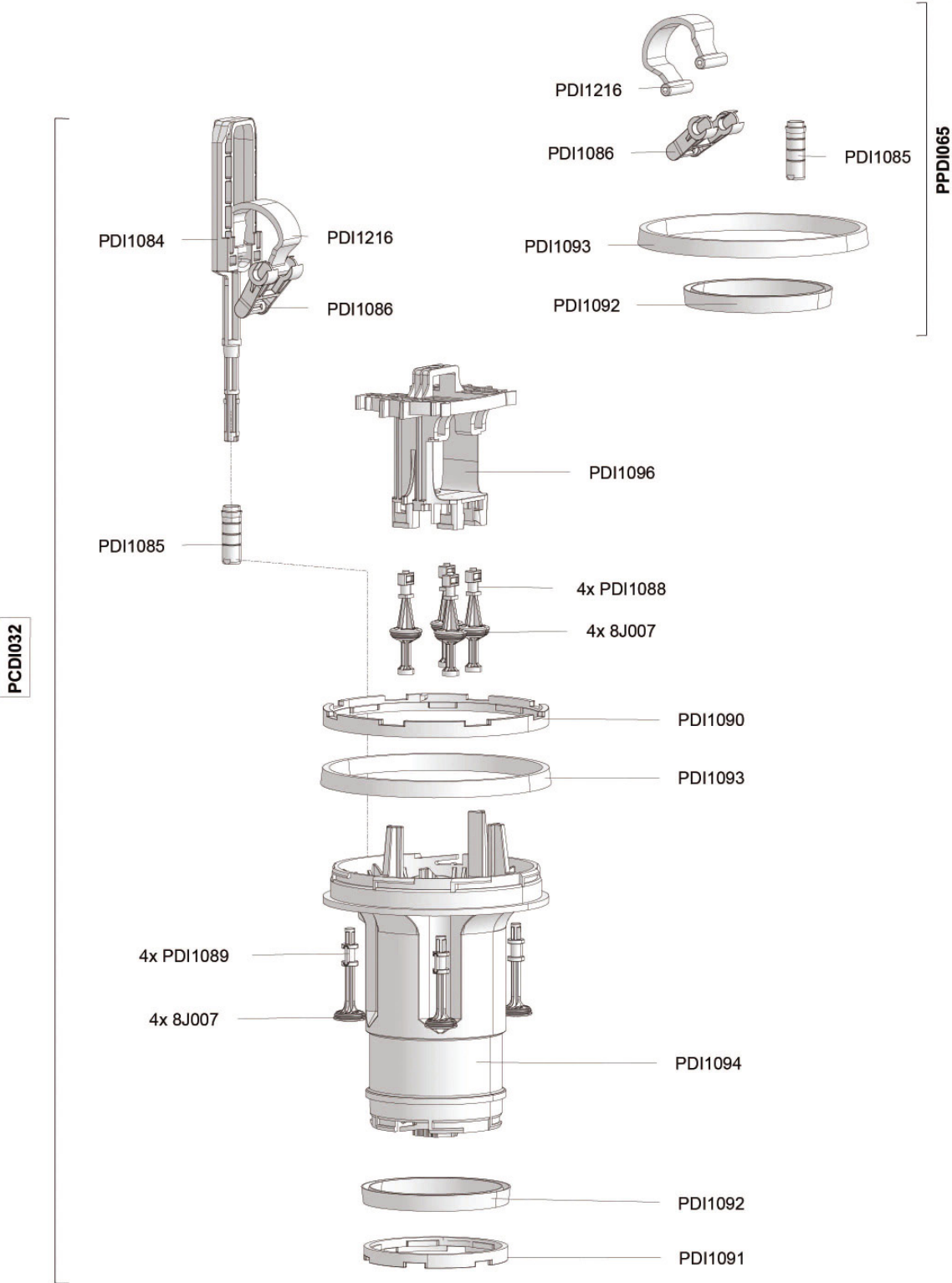
SCHEMATICS



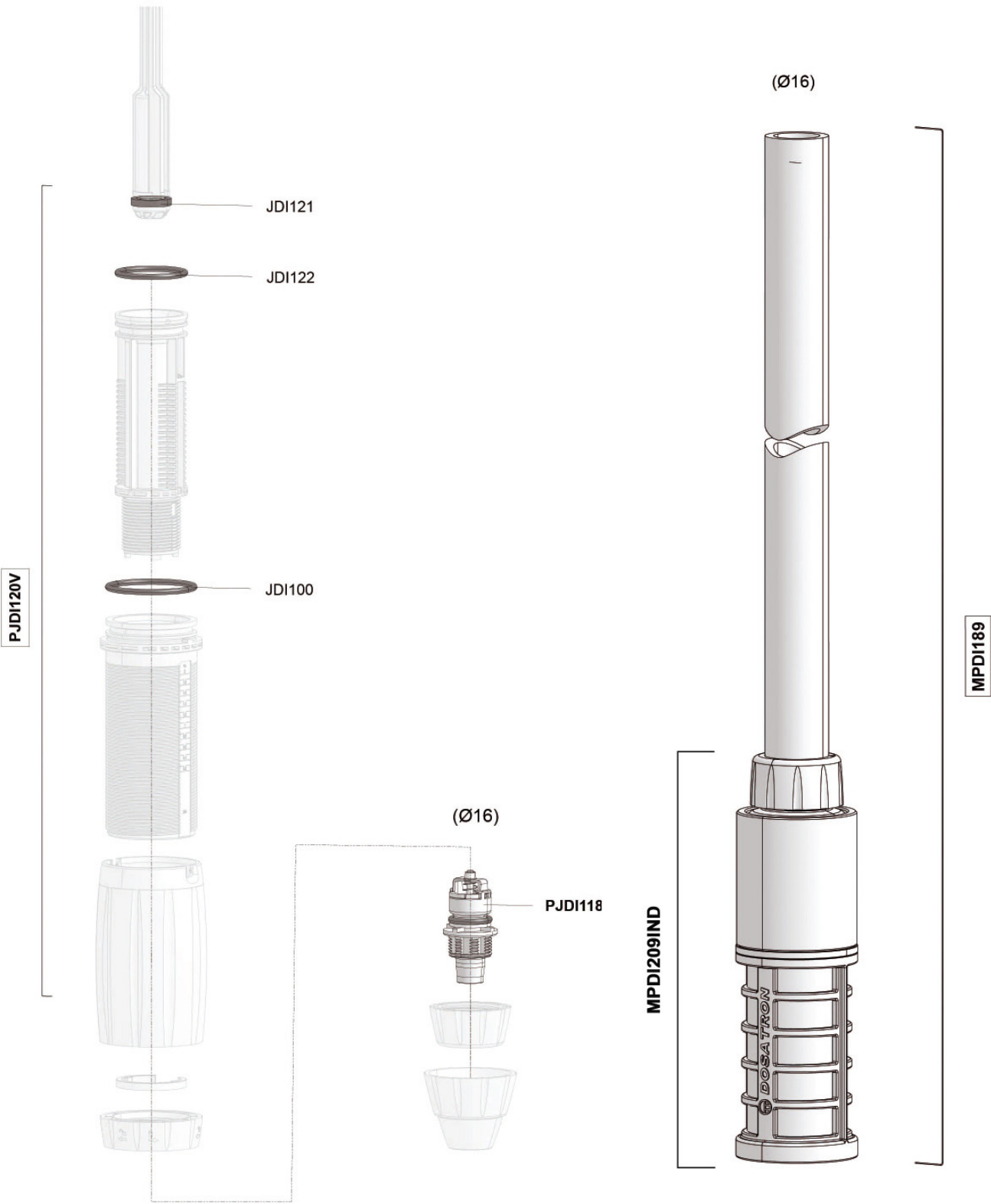
SCHEMATICS



SCHEMATICS



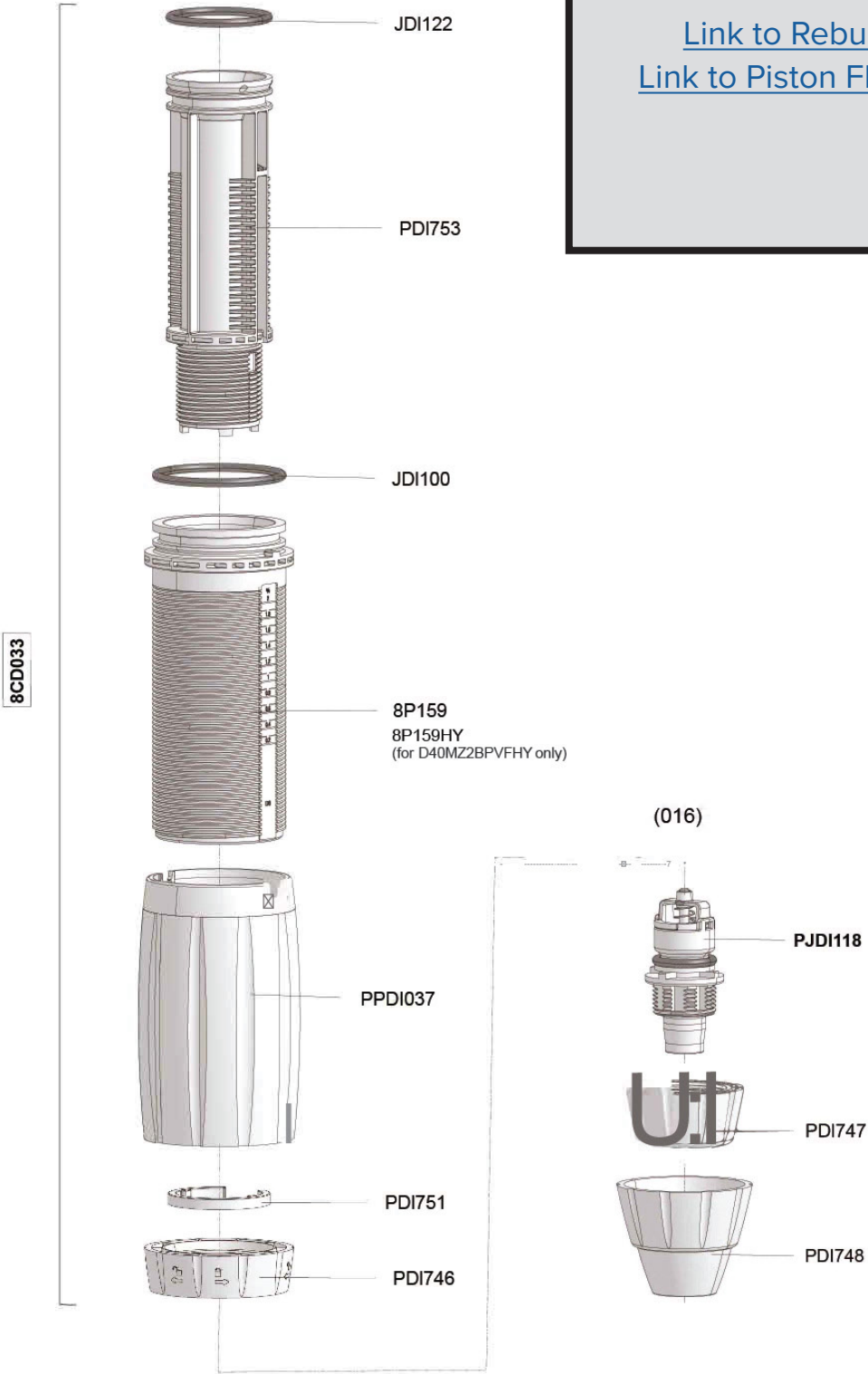
SCHEMATICS



SCHEMATICS

HELPFUL LINKS

[Link to Rebuild Kit](#)
[Link to Piston Flange Kit](#)



D40MZ2

2090 Sunnydale Blvd.
Clearwater, FL 33765
1-800-523-8499 | www.dosatron.com



DOSATRON[®]

An Ingersoll Rand Business